

EGOO.HEALTH COVID-19 TEST PROCESS

1. Sample collected via oropharyngeal swab



2. Transfer swab into Eppendorf tube, close it and shake it



3. Pipette the shaken liquid



4. Inject the contents of the pipette into the SARS-CoV-2 capsule



5. Start the analysis from your smartphone/laptop and place the capsule



6. Scan the QR-code on the capsule and close the Ego device



7. The Ego device will run the analysis



8. Receive test results on your laptop



(*future phone setup)

WHAT WE DELIVER - The actual analysis

Egoo.health system
(1 system pr. box, moq 1)



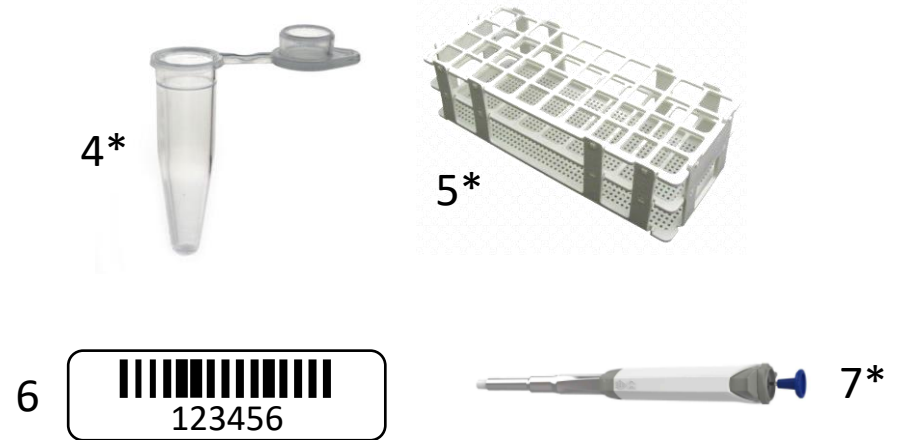
The Egoo.health system (1) is delivered in one box. This is the analysis device. A manual and power cable is included pr. box.

SARS-CoV-2 capsules
(10 capsules pr. box, moq 50)



SARS-CoV-2 capsules (2) are delivered in a box of 10 with one pipette tip (3) (with filter) pr. capsule. One capsule and pipette tip is used pr. test. A manual for proper handling of the capsules is included pr. box. Capsules have to be stored at -20°C

Transport medium SIBA-buffer
(50 buffers pr. box, moq 50)



Transport medium SIBA-buffer (4) is delivered in a box of 50. In this box you will also find a tube rack (5), 50x3 ID-labels (6) for ID'ing samples (3 labels pr. test) and a 20µl pipette (7) (multiple uses). A manual for proper handling of the SIBA-buffer is included pr. box. SIBA-buffer has to be refrigerated ~5°C

WHAT WE DO NOT DELIVER – The surrounding necessities

- Windows (latest version of Windows 10) operated computer/tablet
- Handheld scanner or Tablet w. scanner
- Mobile WiFi & Sim card with data – If not using own WIFI
- Swab-kit: UTM, tubes and swabs
- Refrigerator (~5°C) & freezer (-20°C +/- 3 °C)

COVID-19 AND BEYOND

- **Decentralized** tool for biomarker analysis anywhere
- The egoo device is **affordable** and accessible for everyone
- Support future protein and DNA/RNA tests → can measure almost any biomarker of protein or DNA nature e.g.: CRP, Haemoglobin, Influenza A & B, Respiratory Syncytial Virus etc.
- Results delivered within **2-30 minutes**
- **Accuracy** as in clinical laboratories

Scalable

Separate capsules for different biomarkers

Each capsule can measure a maximum of 1-2 biomarkers

Designed to measure a wide range of protein or DNA/RNA

Speed

Fast access to test results

Cloud driven

Secure and solid infrastructure



(*future phone setup)